

# TSL-BLDC-WK2205

Outer Rotor Frameless Torque Motor



WK2205 Rated Voltage 12 V	WK2205 Rated Speed 792 RPM	WK2205CP Motor Size Ø26.3 × 9 mm	WK2205CH Motor Size Ø25.3 × 6.2 mm
------------------------------	-------------------------------	-------------------------------------	---------------------------------------

## 1. Electrical and Mechanical Parameters

Parameter	Unit	WK2205CP (Magnetic Plate)	WK2205CH (Magnetic Ring)
Nominal Voltage	V	12	12
Nominal Current	A	0.66	0.66
Nominal Torque	N.m	0.04	0.02
Nominal Speed	rpm	792	792
Max Speed	rpm	5630	5630
Stall Torque	N.m	0.12	0.06
Stall Current	A	1	1
Winding Turns of Motor	T	65	65
Interphase Resistance	Ω	7.4	7.4
Interphase Inductance	Mh	1.68	1.68
Speed Constant	rpm/V	469	469
Torque Constant	N.m/A	0.12	0.06
Rotor Inertia	gcm <sup>2</sup>	9	5
Number of Pole Pairs	Pairs	7	7
Working Temperature	°C	-20 to 80	-20 to 80
Max Demagnetization Temperature	°C	120	120
Stator Inner Diameter	mm	10	10
Motor Size	mm	Ø26.3 × 9	Ø25.3 × 6.2
Motor Weight	g	14	12

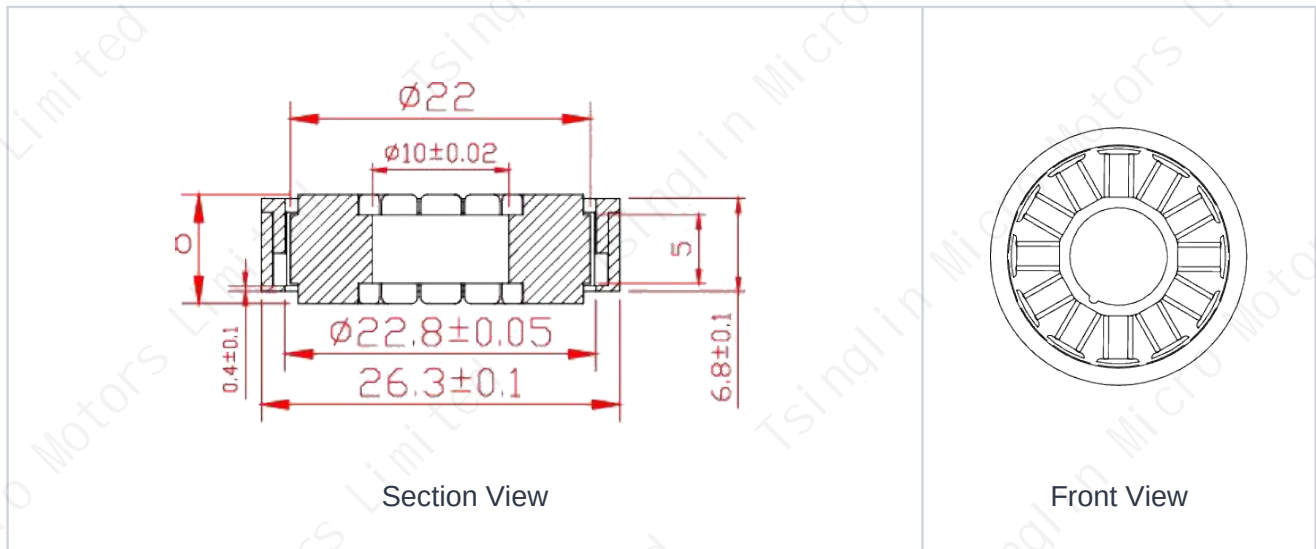
Note: The above parameters are for reference only and can be customized according to customer requirements.

# TSL-BLDC-WK2205

Outer Rotor Frameless Torque Motor

## 2. Magnetic Plate Version - Dimension Drawing

All dimensions are in millimeters unless otherwise specified.



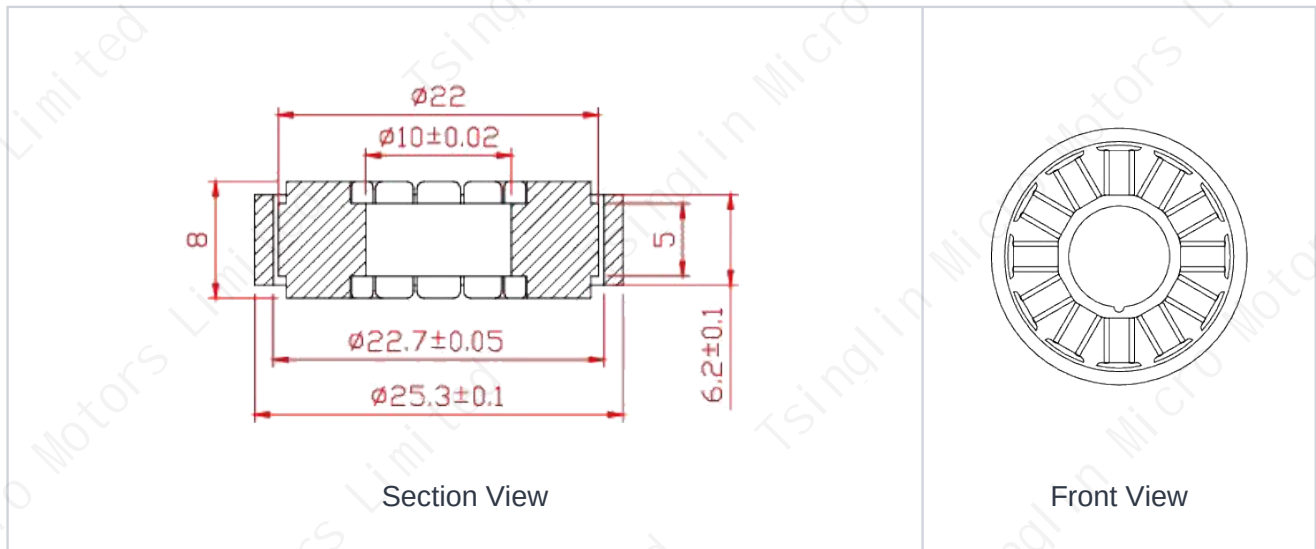
<b>Drawing</b>	TSL-BLDC-WK2205CP Magnetic Plate Version
<b>Version</b>	V1.0
<b>Updated</b>	2025-07-12

# TSL-BLDC-WK2205

Outer Rotor Frameless Torque Motor

## 3. Magnetic Ring Version - Dimension Drawing

All dimensions are in millimeters unless otherwise specified.



<b>Drawing</b>	TSL-BLDC-WK2205CH Magnetic Ring Version
<b>Version</b>	V1.0
<b>Updated</b>	2025-07-10