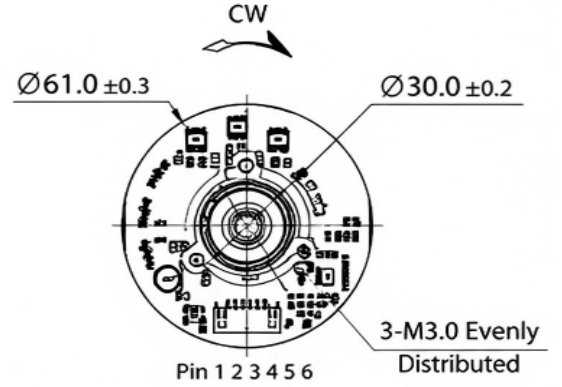
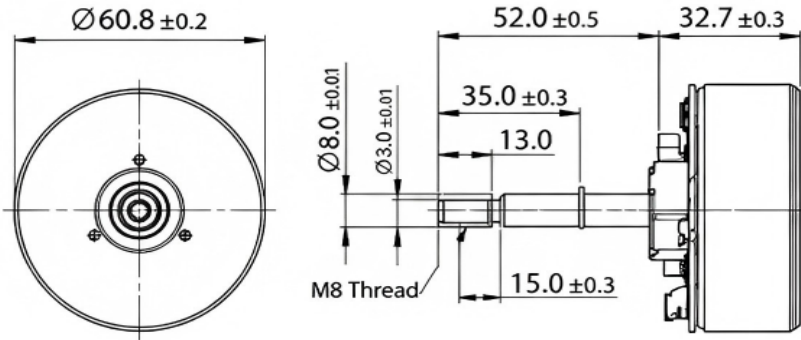


TSL-BLDC-6020 Product Specifications

Output Power: 5W—45W Diameter: 60mm Height: 20mm



PIN ASSIGNMENT	
Pin No.	SIGNAL
1	24V
2	GND
3	NC
4	SP
5	FG
6	NC

Technical Requirements:

1. Rated voltage: 24VDC, Voltage range: 8~26VDC;
2. 24V power supply wiring, GND ground wiring, do not reverse connect;
3. SP PWM speed control signal, high level is valid;
4. FG output: open collector output;
5. Comply with RoHS environmental requirements.

Unit: Millimeter

Voltage (V)		No Load (RPM)	
Rated Voltage (V)	Voltage Range (V)	No Load Speed (RPM)	No Load Current (A)
8-26	12-24	1665-3227	0.16-0.52

Rated Load				Limit	
Speed (RPM)	Torque (mNm)	Current (A)	Output Power (W)	Current (A)	Torque (mNm)
1393-2633	49.8-76.5	0.82-2.13	7.3-20.8	4.18-8.71	415.2

