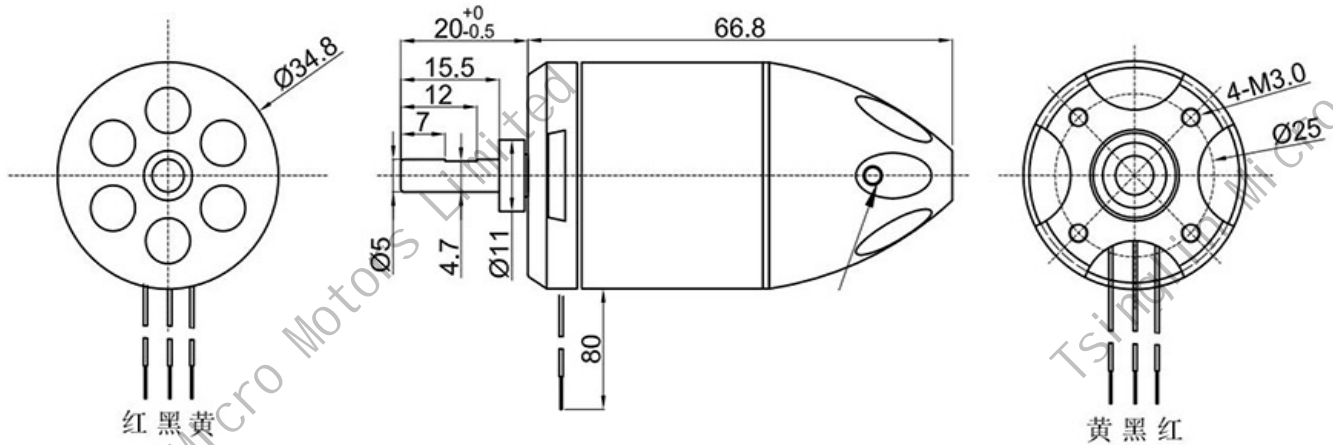


Item(型号): warhead3545-1350

Full Dimensions (尺寸图)



Specifications(产品规格)

| English | 中文 | 参数 |
|---------------------------------------|--------|-----------|
| Stator Diameter | 定子外径 | 28mm |
| Stator Thickness | 定子芯片厚度 | 22mm |
| Stator Arms | 定子极数 | 12 |
| Magnet Poles | 转子极数 | 14 |
| Motor KV | 转速/V | 1350rpm/V |
| No-Load Current (I ₀ /10V) | 空载电流 | 2.8A /15V |
| Max Continuous Current | 最大运行电流 | 65 A |
| Max Continuous Power | 最大运行功率 | 1150W |
| Weight | 重量 | 170g |
| Outside Diameter | 外形尺寸 | Φ34.8mm |
| Shaft Diameter | 轴芯尺寸 | Φ5.0 mm |
| Body Length | 机体长度 | 66.8 mm |

Electric regulator(电调控制)

| NO | Paddle Blade | Voltage | Throttle | Current | Speed | Tension | Power | efficiency |
|--------------------|--------------|---------|----------|---------|----------|---------|--------|------------|
| 序号 | 桨叶 | 电压 (V) | 油门 | 电流 (A) | 转速 (RPM) | 拉力 (g) | 功率 (W) | g/w |
| warhead3545-1350KV | EDF90 | 22.2 | | 58.0 | | 1800 | | |