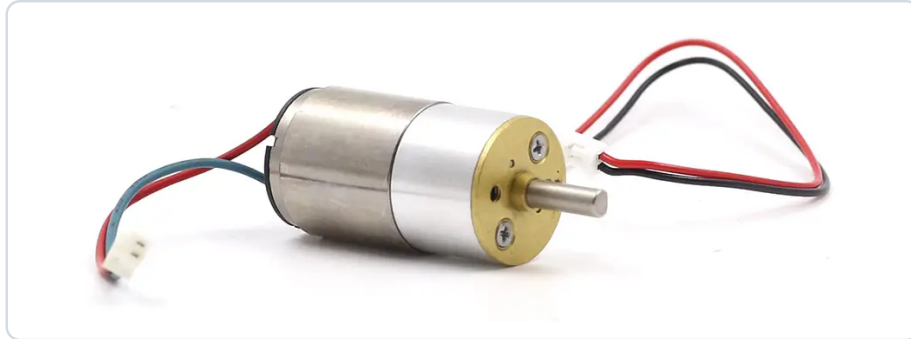


TSL-GM16-C1629 Series

Micro DC Planetary Gear Motor - Product Specification



SERIES OVERVIEW

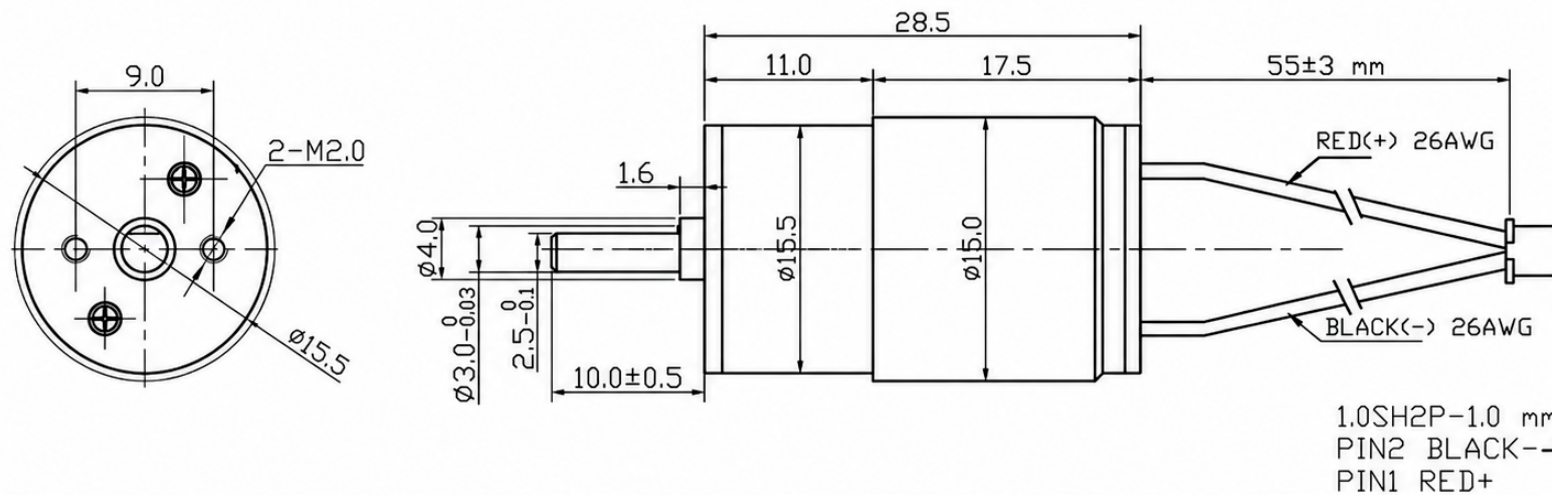
- Available rated voltage: 6 V DC
- Available gear ratios: 10:1 to 360:1
- Compact 16 mm metal spur gearbox with coreless brushed DC motor

ELECTRICAL OPTION

Model	Rated Voltage	Gear Ratio
TSL-GM16-C1629	6 V DC	10:1 to 360:1

DIMENSIONAL DRAWING

All dimensions are in mm unless otherwise specified.



TSL-GM16-C1629, 6 V DC

Output performance by gear ratio

Ratio	Voltage	No Load		Rated Load			Stall	
i : 1		Current	Speed	Current	Speed	Torque	Current	Torque
10:1	DC 6.0 V	≤50mA	1450RPM	≤0.28A	1050RPM	0.08kg.cm	≤1.4A	≥0.25kg.cm
20:1	DC 6.0 V	≤50mA	720RPM	≤0.28A	530RPM	0.15kg.cm	≤1.4A	≥0.55kg.cm
35:1	DC 6.0 V	≤50mA	410RPM	≤0.28A	300RPM	0.27kg.cm	≤1.4A	≥1.0kg.cm
63:1	DC 6.0 V	≤50mA	228RPM	≤0.28A	170RPM	0.5kg.cm	≤1.4A	≥1.7kg.cm
86:1	DC 6.0 V	≤50mA	167RPM	≤0.28A	125RPM	0.65kg.cm	≤1.4A	≥2.3kg.cm
115:1	DC 6.0 V	≤50mA	126RPM	≤0.28A	93RPM	0.9kg.cm	≤1.4A	≤3.0kg.cm
150:1	DC 6.0 V	≤50mA	95RPM	≤0.28A	72RPM	1.1kg.cm	≤1.4A	≤3.0kg.cm
250:1	DC 6.0 V	≤50mA	57RPM	≤0.28A	43RPM	1.9kg.cm	≤1.4A	≤3.0kg.cm
360:1	DC 6.0 V	≤50mA	40RPM	≤0.28A	30RPM	2.8kg.cm	≤1.4A	≤3.0kg.cm

Performance parameters are for reference only and can be customized according to customer requirements.