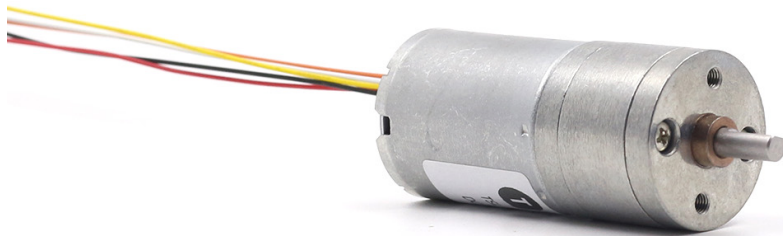


TSL-GM25-BL2430

Ø25 mm Brushless DC Motor With Spur Gearbox



Configuration Summary

Motor Type	Brushless DC motor with integrated driver
Gearbox	Inline metal spur gearbox
Nominal Voltage	12 V / 24 V
Rated Power	6 W / 7.2 W
Motor Diameter	Ø25 mm
Output Shaft	Ø4 mm shaft, 10 mm length
Gear Ratios	4.4:1 to 500:1

Product Overview

The TSL-GM25-BL2430 combines a compact Ø25 mm brushless DC motor, an integrated driver and an inline metal spur gearbox. Multiple reduction ratios are available for applications requiring compact size, stable operation, reduced speed and higher output torque.

Performance Data - 12 V / 6 W

TSL-GM25-BL2430

Ratio	No Load		Rated Load			Stall	
	Speed	Current	Speed	Current	Torque	Torque	Current
i:1	rpm ±10%	A	rpm ±10%	A	kgf.cm	kgf.cm	A
4.4	1360	0.15	1000	0.5	0.12	0.5	1.5
9.6	620	0.15	450	0.5	0.26	1	1.5
21.3	280	0.15	220	0.5	0.56	2.2	1.5
35	170	0.15	130	0.5	0.92	3.7	1.5
45	130	0.15	100	0.5	1.3	4	1.5
78	77	0.15	60	0.5	2	6.7	1.5
103	60	0.15	46	0.5	2.7	12.2	1.5
171	35	0.15	27	0.5	4	19.6	1.5
226	26	0.15	20	0.5	5.4	26.4	1.5
377	16	0.15	12	0.5	8	28	1.5
500	12	0.15	9	0.5	9	31	1.5

Performance parameters are reference values. Actual performance may vary with load, temperature, power supply and manufacturing tolerance. Custom voltage, speed, torque, shaft and gearbox specifications are available on request.

Performance Data - 24 V / 7.2 W

TSL-GM25-BL2430

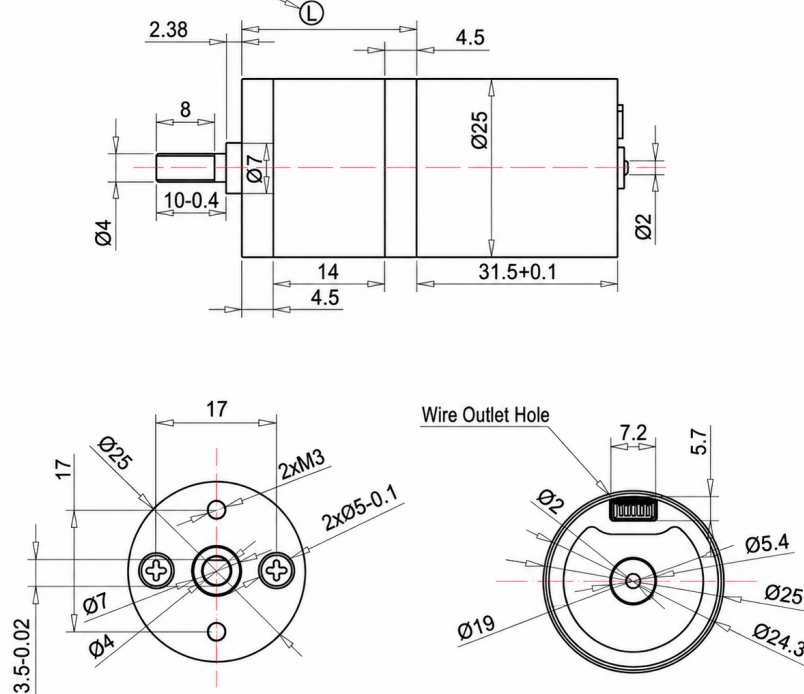
Ratio	No Load		Rated Load			Stall	
	Speed	Current	Speed	Current	Torque	Torque	Current
i:1	rpm ±10%	A	rpm ±10%	A	kgf.cm	kgf.cm	A
4.4	1360	0.07	1000	0.3	0.12	0.5	0.9
9.6	620	0.07	450	0.3	0.26	1	0.9
21.3	280	0.07	220	0.3	0.56	2.2	0.9
35	170	0.07	130	0.3	0.92	3.7	0.9
45	130	0.07	100	0.3	1.3	4	0.9
78	77	0.07	60	0.3	2	6.7	0.9
103	60	0.07	46	0.3	2.7	12.2	0.9
171	35	0.07	27	0.3	4	19.6	0.9
226	26	0.07	20	0.3	5.4	26.4	0.9
377	16	0.07	12	0.3	8	28	0.9
500	12	0.07	9	0.3	9	31	0.9

Performance parameters are reference values. Actual performance may vary with load, temperature, power supply and manufacturing tolerance. Custom voltage, speed, torque, shaft and gearbox specifications are available on request.

Mechanical Dimensions

TSL-GM25-BL2430 | Unit: mm

L Value Corresponding to Different Gear Ratios											
Reduction Ratio (Variation)	4.4	9.6	21.3	35	45	78	103	171	226	377	500
L Dimension (mm)	17	19	21	21	23	25	25	27	27	27	27



Unless otherwise specified, dimensions are in millimetres.

Internal Structure and Main Components

TSL-GM25-BL2430

